

# PM TBAS C

## PRISM Tap Range Prism Tall Basin Mixer (no waste) Chrome



### Specification

<b>Product Type:</b>	Taps
<b>Main Construction Material:</b>	Brass
<b>Mount Type:</b>	Deck
<b>Handle Type:</b>	Lever
<b>Connection Inlet:</b>	M10 x 15mm Flexible Connection Pipes
<b>Connection Outlet:</b>	M24 Flow Straightener
<b>Number of Tap Holes:</b>	1
<b>Valve/Cartridge Type:</b>	40mm Single Lever Cartridge
<b>Plumbing System Requirements:</b>	Suitable for all plumbing systems
<b>Minimum Dynamic Pressure (bar):</b>	0.2 bar
<b>Maximum Dynamic Pressure (bar):</b>	5.0 bar
<b>Maximum Hot Water Temperature °C:</b>	65°C
<b>Maximum Static Pressure (bar):</b>	10 bar
<b>Flow Type:</b>	Single
<b>Isolation Included:</b>	No

### Features:

- Long life ceramic cartridge for added durability and ease of use
- Metal fixing nut for added durability
- Easy to use lever handle
- Flexible tails included

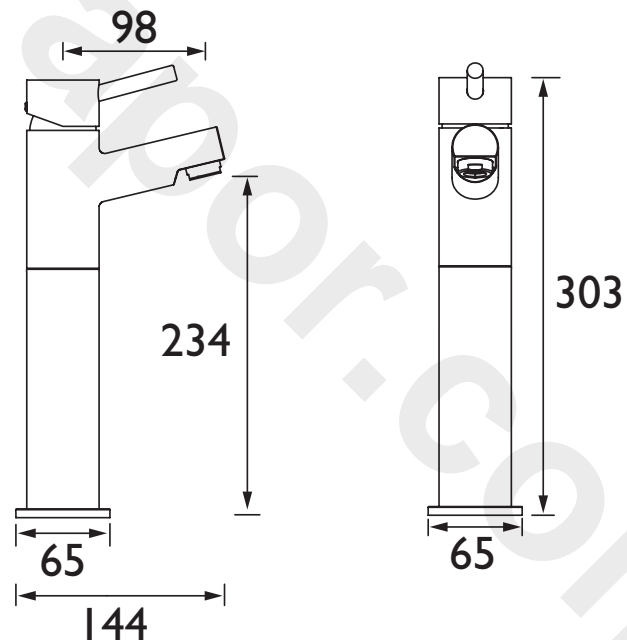
### Product Certifications:



For more products, visit our website:  
<http://www.bristan.com>



### Dimensions (measurements in mm)



### Flow Rates (l/min)

System Pressure (bar)	0.2	0.5	1	2	3	5
PM TBAS C (mixed)	7.5	11.8	16.7	23.7	29	37.4

## TECHNICAL DATA SHEET



# BRISTAN

D7